

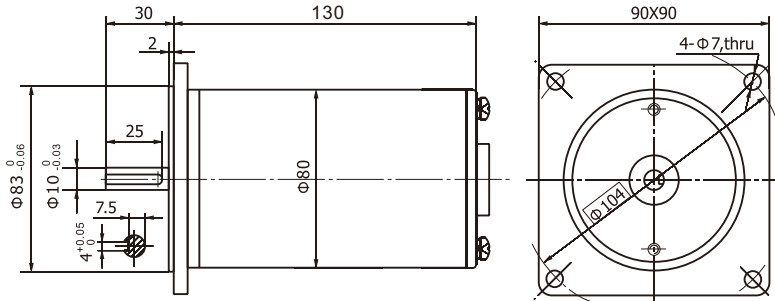
80ZY125永磁直流电动机 80ZY125 Brushed DC Motor

● 产品特点和用途 Description of The Product

直径80mm的永磁直流电动机，密封结构，适合于各种要求低噪音的使用场合。

80MM OD PMDC motor, totally enclosed, used in occasions which require motors with low noise.

● 外形尺寸 Dimensions



● 电动机主要技术参数 Motor Technical Data

| 电机型号 TYPE | 额定电压 Rated voltage VDC | 空载转速 No-load speed r/min | 空载电流 No-load current A | 额定转速 Rated speed r/min | 额定转矩 Rated torque N.m | 输出功率 Output power W | 额定电流 Rated current A | 堵转转矩 Stall torque N.m | 堵转电流 Stall current A |
|--------------|------------------------------|--------------------------------|------------------------------|------------------------------|-----------------------------|---------------------------|----------------------------|-----------------------------|----------------------------|
| 80ZY125-2420 | 24 | 2000 | 0.5 | 1700 | 0.64 | 110 | 6 | 2.9 | 27 |
| 80ZY125-2435 | 24 | 3500 | 1.2 | 3000 | 0.70 | 200 | 10 | 3.2 | 45 |

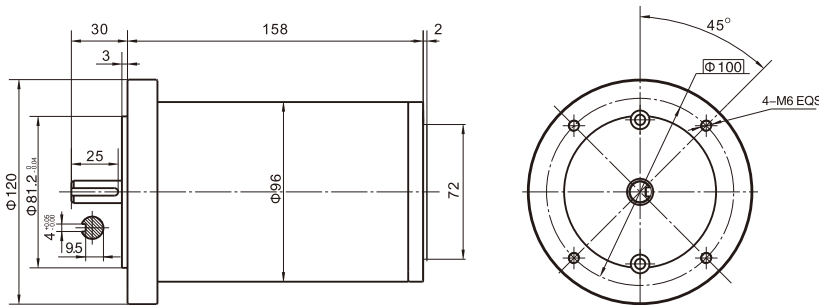
96ZY140永磁直流电动机 96ZY140 Brushed DC Motor

● 产品特点和用途 Description of The Product

直径96mm的永磁直流电动机，密封结构，适合于各种要求低噪音的使用场合。

96MM OD PMDC motor, totally enclosed, used in occasions which require motors with low noise.

● 外形尺寸 Dimensions



● 电动机主要技术参数 Motor Technical Data

| 电机型号 TYPE | 额定电压 Rated voltage VDC | 空载转速 No-load speed r/min | 空载电流 No-load current A | 额定转速 Rated speed r/min | 额定转矩 Rated torque N.m | 输出功率 Output power W | 额定电流 Rated current A | 堵转转矩 Stall torque N.m | 堵转电流 Stall current A |
|--------------|------------------------------|--------------------------------|------------------------------|------------------------------|-----------------------------|---------------------------|----------------------------|-----------------------------|----------------------------|
| 96ZY140-2420 | 24 | 2000 | 1.0 | 1600 | 0.80 | 150 | 9.0 | 4.0 | 40 |
| 96ZY140-2435 | 24 | 3500 | 1.8 | 2800 | 0.95 | 200 | 13 | 5.5 | 50 |