

90YN/90JW

允许转矩范围: 20N.m
Permissible Load Range: 20N.m

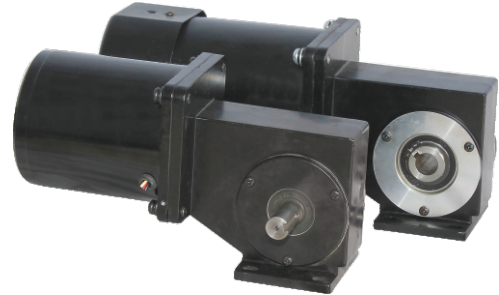
● 型号说明 Indications of The Model Number

90YN60-2F / JW□G15

电动机的型号/减速器的型号
Motor Type/Gearbox Model

□中填写减速比的数值
□ Reduction Ratio

可选择电机性能: YN单相可逆电机, 输出功率40W、60W、90W
可选择供电电源: 单相230V、220V、110V、100V
可选择附加功能: Z-机械阻尼(40W)、P-热保护器、T-调速电机、D-电磁刹车
60W和90W电机标准制式带F-冷却风叶
AC Reversible Motor, Output Power 40W、60W or 90W
Voltage: 230V、220V、110V or 100V AC
Optional Components: Z-Damper(40W)、P-Thermal Protector、T-Speed Motor、D-Brake
F-Cool Fan(Standard 60W and 90W motors)



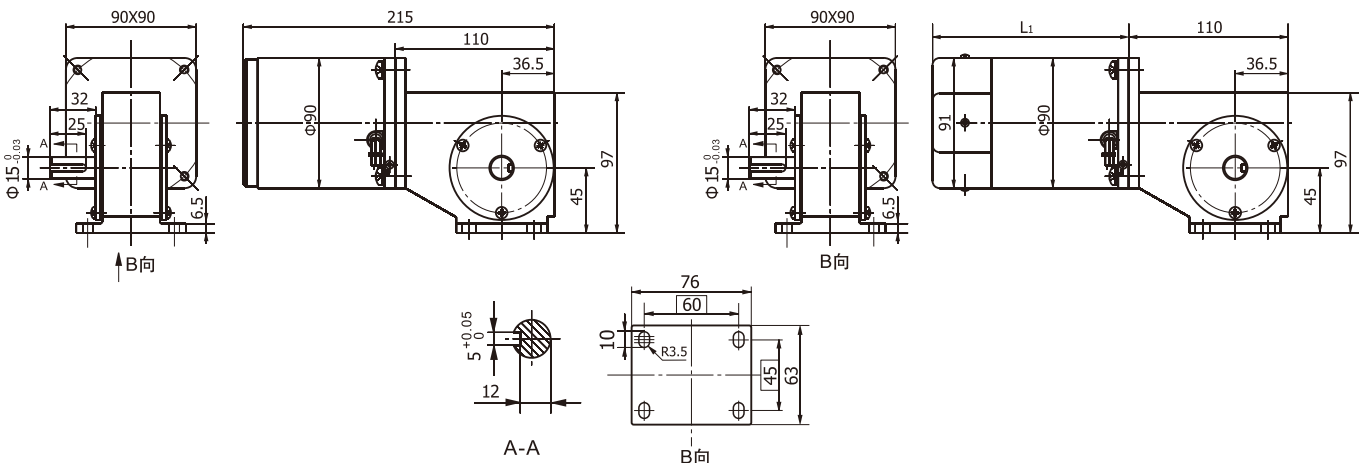
● 配置减速器后的额定转速、额定转矩 Specifications of Worm Gear Motors

电动机型号 TYPE	功率 Power W	减速比1:50 Reduction ratio 1:50		减速比1:40 Reduction ratio 1:40		减速比1:32 Reduction ratio 1:32		减速比1:25 Reduction ratio 1:25		减速比1:16 Reduction ratio 1:16		减速比1:12:5 Reduction ratio 1:12:5		重量 Weight (kg)
		额定转速 Rated speed r/min	额定转矩 Rated torque N.m	额定转速 Rated speed r/min	额定转矩 Rated torque N.m	额定转速 Rated speed r/min	额定转矩 Rated torque N.m	额定转速 Rated speed r/min	额定转矩 Rated torque N.m	额定转速 Rated speed r/min	额定转矩 Rated torque N.m	额定转速 Rated speed r/min	额定转矩 Rated torque N.m	
90YN40	40	26	5.2	32	4.7	40	3.8	52	3.0	81	2.5	104	1.8	3.5
90YN60	60	26	7.7	32	7.0	40	5.6	52	4.4	81	3.5	104	2.7	3.6
90YN90	90	26	11.6	32	10.5	40	8.5	52	6.6	81	5.0	104	4.0	4.6

● 外形尺寸 Dimensions

配40W电机外形图 (不配置冷却风扇)
40W External Drawing (without cool fan)

配60W、90W电机外形图 (配置冷却风扇)
60W、90W External Drawing (with cool fan)



说明: 产品出厂时左出轴是常规配置, 如要求右出轴需在订货时特别说明。配60W、90W电机的外形尺寸 (配置冷却风叶) 见下表。
Remarks: Standard products are left output shaft, right available upon request.

电动机型号 Type	L1 (mm)
90YN60-2F、90YN60-1F	123
90YN90-2F、90YN90-1F	138