

单相蜗轮减速电机40W~90W Single-Phase Worm Gear Motor 40W~90W

90YN/JB/JW

允许转矩范围: 20N.m
Permissible Load Range: 20N.m

产品特点: 混合配置型, 在蜗轮减速器的前面配置了1:10的JB型的齿轮减速器, 以增加总的传动比, 获得更低的转速。总减速比是两种减速器减速比的乘积。

Features: mixed configuration, 1:10 eccentric shaft gearbox is equipped at the front of worm gearbox to increase total drive ratio and achieve lower speed. Total ratio equals to the product of the two gear ratios.

● 型号说明 Indications of The Model Number

90YN40-2 / JB10 / JW □ G15

电动机的型号/减速器的型号
Motor Type/Gearbox Model

□中填写减速比的数值
□ Reduction Ratio

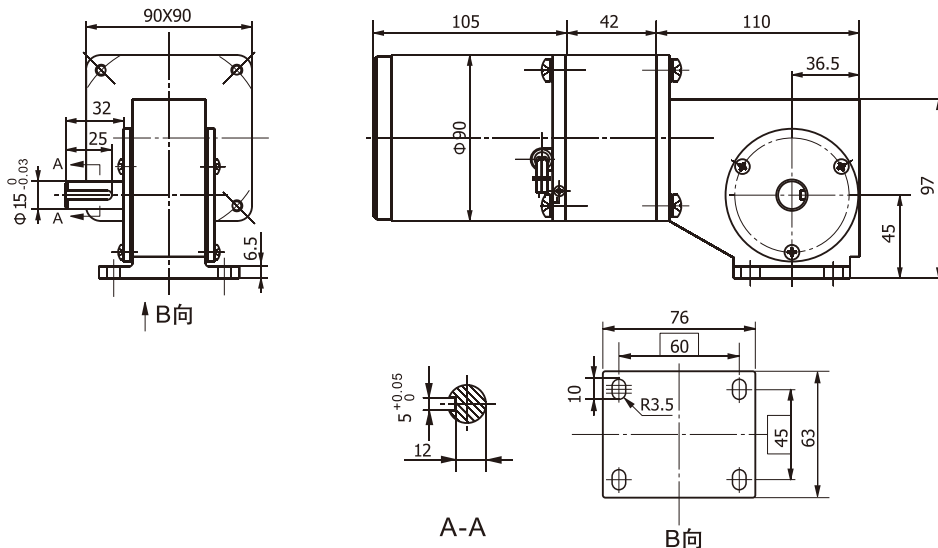


可选择电机性能: YN单相可逆电机, 输出功率40W
可选择供电电源: 单相230V、220V、110V、100V
可选择附加功能: Z-机械阻尼、P-热保护器、T-调速电机、D-电磁刹车
AC Reversible Motor, Output Power 40W
Voltage: 230V、220V、110V or 100V AC
Optional Components: Z-Damper、P-Thermal Protector、T-Speed Motor、D-Brake

● 配置减速器后的额定转速、额定转矩 Specifications of Worm Gear Motors

电动机型号 TYPE	功率 Power W	减速比1:125 Reduction ratio1:125		减速比1:160 Reduction ratio1:160		减速比1:250 Reduction ratio1:250		减速比1:320 Reduction ratio1:320		重量 Weight (kg)
		额定转速 Rated speed r/min	额定转矩 Rated torque N.m	额定转速 Rated speed r/min	额定转矩 Rated torque N.m	额定转速 Rated speed r/min	额定转矩 Rated torque N.m	额定转速 Rated speed r/min	额定转矩 Rated torque N.m	
90YN40	40	9.6	12	7.5	19	4.8	24	3.8	30	4.25

● 外形尺寸 Dimensions



说明: 产品出厂时左出轴是常规配置, 如要求右出轴需在订货时特别说明。
Remarks: Standard product is left output shaft, right output shaft is available upon request.