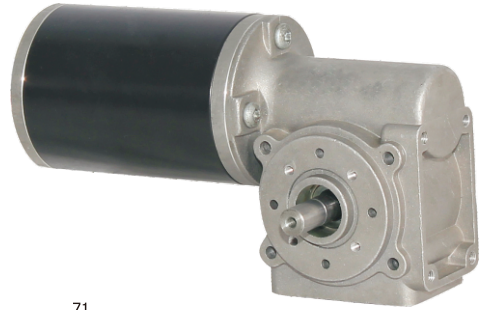


63JW/63ZY105

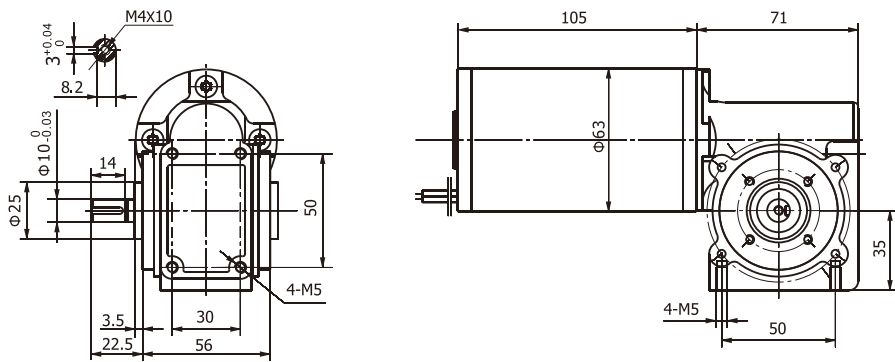
允许转矩范围: 8N.m
Permissible Load Range: 8N.m

产品特点 and 用途 Description of The Product

- 1、适合减速器输出轴与电机成90° 的使用场合。
 - 2、可以制造12VDC的产品，电动机转速根据需要可以调整。
 - 3、电动机可以带编码器和刹车。
- 1、Suitable application: gearbox and motor output shafts form a right angle.
 - 2、12VDC is available, motor speed is adjustable upon request.
 - 3、Encoder & brake is available upon request.



外形和安装尺寸 Dimensions



电动机主要技术参数 Motor Technical Data

| 电动机型号 TYPE | 额定电压 Rated voltage VDC | 空载转速 No-load speed r/min | 空载电流 No-load current A | 额定转速 Rated speed r/min | 额定转矩 Rated torque N.m | 输出功率 Output power W | 额定电流 Rated current A | 堵转转矩 Stall torque N.m | 堵转电流 Stall current A |
|---------------|------------------------------|--------------------------------|------------------------------|------------------------------|-----------------------------|---------------------------|----------------------------|-----------------------------|----------------------------|
| 63ZY105-2420 | 24 | 2000 | 0.32 | 1550 | 0.125 | 20 | 1.6 | 0.55 | 6.0 |
| 63ZY105-2430 | 24 | 3000 | 0.40 | 2500 | 0.120 | 30 | 2.2 | 0.72 | 10.8 |

齿轮减速电机主要技术参数 Gear Motor Technical Data

配置63ZY105-2420直流电机 (63ZY105-2420 DC Motor)

| | | | | |
|---------------------------|-----|-----|-----|------|
| 减速比 Reduction ratio | 50 | 30 | 15 | 10 |
| 蜗杆头数 Number of threads | 1 | 1 | 2 | 3 |
| 空载转速 No-load speed r/min | 40 | 66 | 133 | 200 |
| 额定转速 Rated speed r/min | 31 | 51 | 103 | 250 |
| 额定转矩 Rated torque N.m | 4.3 | 2.6 | 1.5 | 0.85 |
| 允许转矩 Permissible load N.m | 10 | 8.0 | 5.0 | 3.0 |

配置63ZY105-2430直流电机 (63ZY105-2430 DC Motor)

| | | | | |
|---------------------------|-----|-----|-----|------|
| 减速比 Reduction ratio | 50 | 30 | 15 | 10 |
| 蜗杆头数 Number of threads | 1 | 1 | 2 | 3 |
| 空载转速 No-load speed r/min | 60 | 100 | 200 | 300 |
| 额定转速 Rated speed r/min | 50 | 83 | 166 | 250 |
| 额定转矩 Rated torque N.m | 4.3 | 2.6 | 1.5 | 0.85 |
| 允许转矩 Permissible load N.m | 10 | 8.0 | 5.0 | 3.0 |